

Before Starting

Your new Blinds To Go vertical blind is custom made to your specifications from the finest material available. Your installation should be easy and the blind will fit beautifully.

Mounting Options

Inside mount: Blind is mounted either into the ceiling or inside the window frame into the top of the frame.

Outside mount: Blind is mounted either on or outside the window frame.

Side mount: Blind is mounted to the two sides of the window frame.

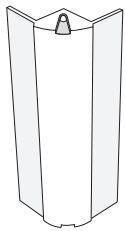
Assembling The Valance

Important:

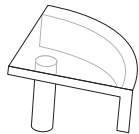
1. Assemble the valance **before** installing the blind, especially for an inside mount.
2. Refer to directions applicable to the type of valance specified in your order.
3. If you did not order a valance, proceed to page 5 "Installing your vertical blind".

Parts

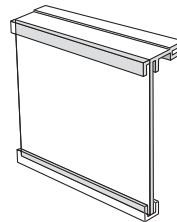
Royal Valance



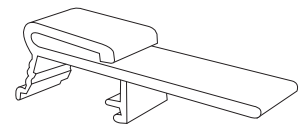
Corner Pieces
Quantity: 2



Corner Covers
Quantity: 4

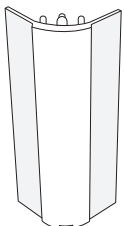


Valance Returns
Quantity: 2

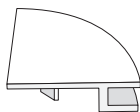


Valance Clips
Quantity: 2 or more depending on size of valance

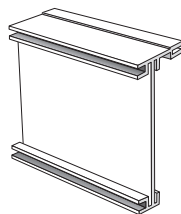
Majestic Valance



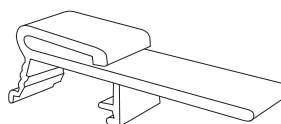
Corner Pieces
Quantity: 2, or 4
Double
Majestic Valance)



Corner Covers
Quantity: 4, or 6
(for Double
Majestic Valance)

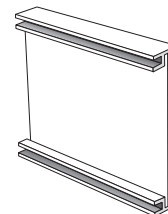


Valance Returns
Quantity: 2
depending on size of valance

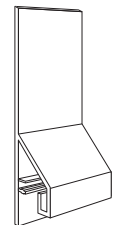


Valance Clips
Quantity: 2 or more
depending on size of valance

Quantity: 2



Lower Section
Valance Returns
Quantity: 2 or more
depending on size of valance



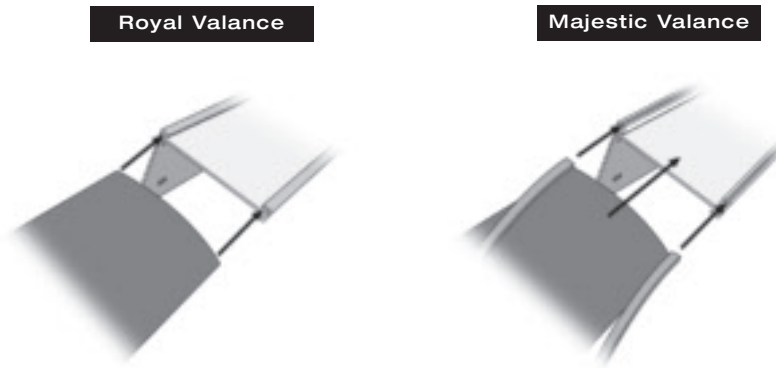
Lower Section
Support Brackets
Quantity: 2 or more
depending on size of valance

(only for Double Majestic Valance)

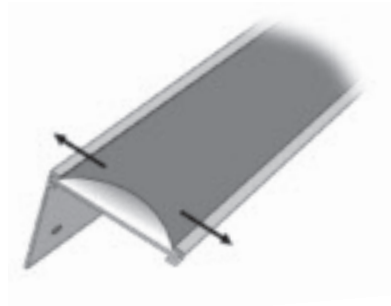
(for

Step 1. Slide in valance insertion

Slide the valance insertion through the main valance section. **For a Double Majestic Valance, slide the valance insertion for both the main section and the lower section.**

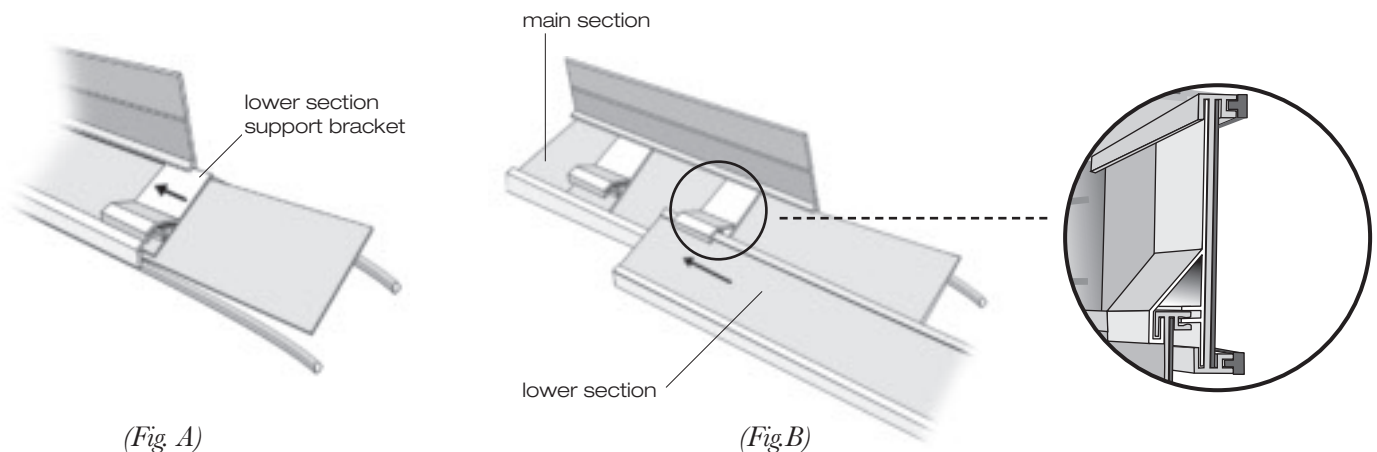


Note: If the material is too thick to slide in, pop the insertion into the main valance section. Take precaution not to break the material while bending the insertion.



Step 2. Only for Double Majestic Valance: Attach the lower section

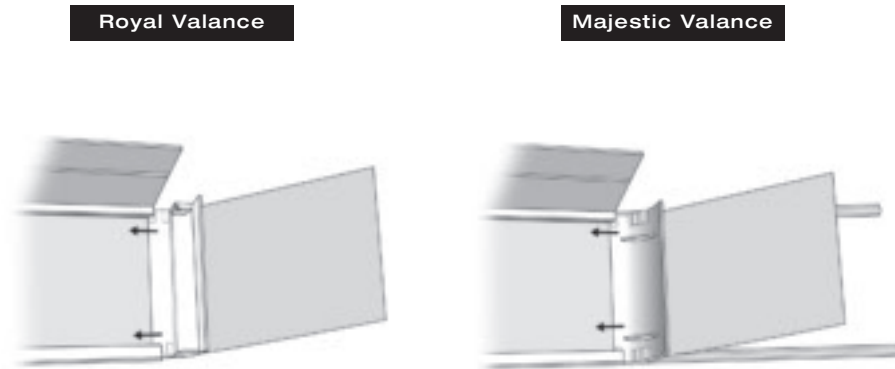
1. Slide all but two of the lower section support brackets into the main valance section (*Fig A*) and space them evenly.
2. Attach the two sections by sliding the lower section through the lower section support brackets (*Fig B*).



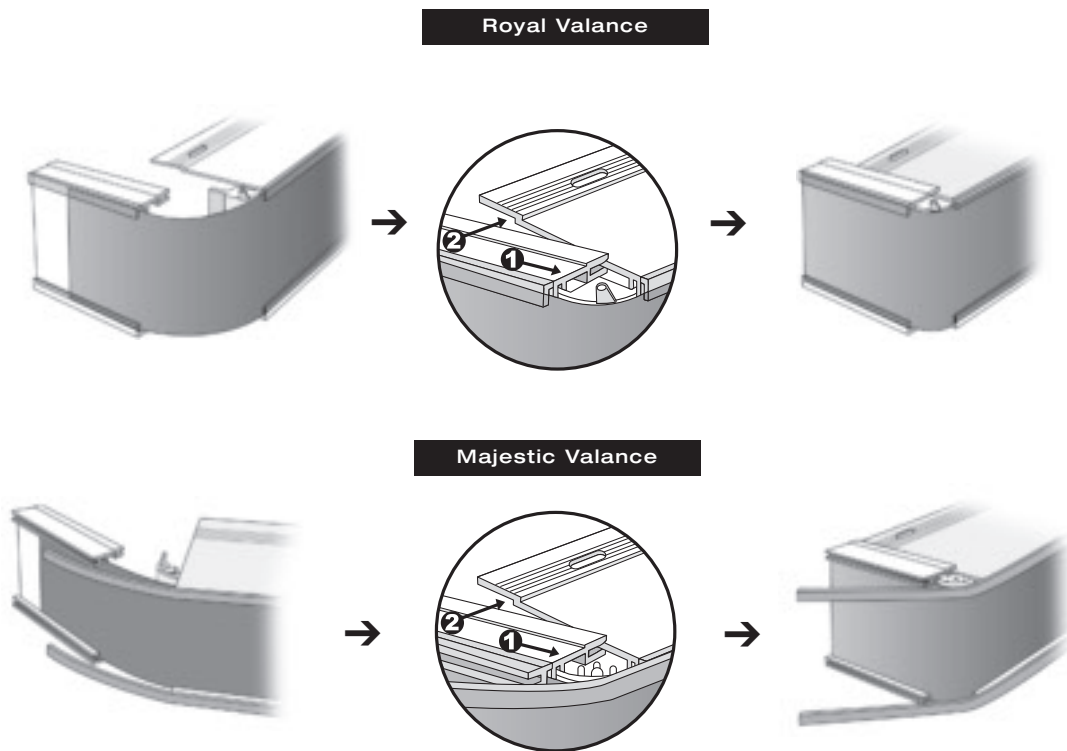
Step 3. Assemble the valance returns

Important for Double Majestic Valances: assemble the returns of the lower section **BEFORE** you assemble the returns of the main section.

1. Slide the corner pieces into the back slot of the main valance section.



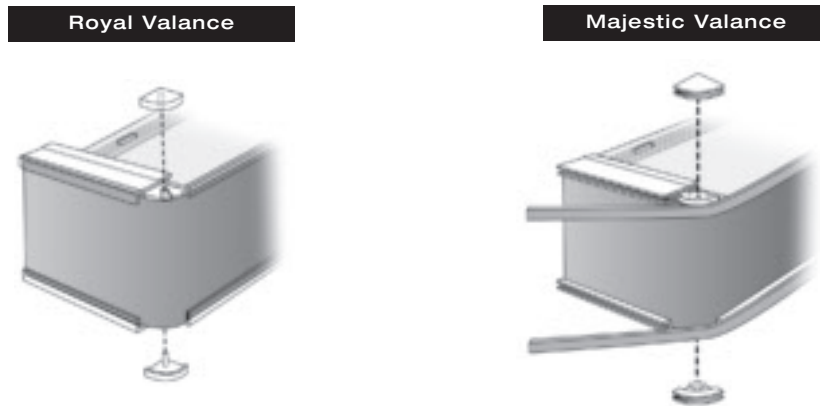
2. Insert the valance returns into the corner pieces.



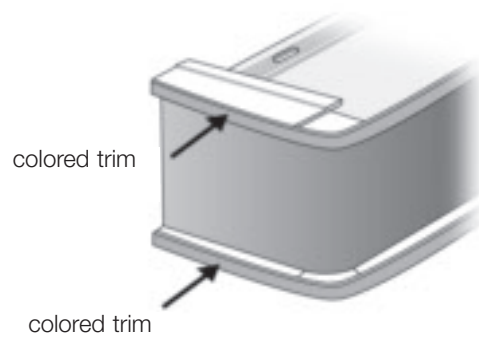
Note:

1. For **fabric valance insertion**, wrap the excess around the back of each return and hold the fabric insertion in place with household tape.
2. For **PVC or aluminum insertion**, trim off the excess with a utility knife by scoring the back of the insertion and snap it off.

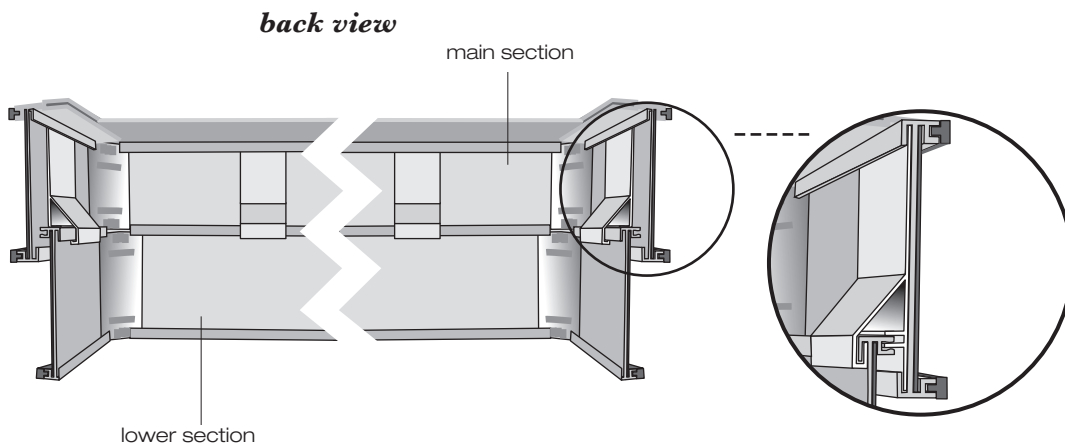
3. Insert the four plastic top and bottom corners and push to secure entire valance.



4. **Only for Majestic valance:** Secure the top and bottom colored trims by **pressing the trims into** the grooves of the corners and of the valance returns. Trim off any excess using ordinary scissors.



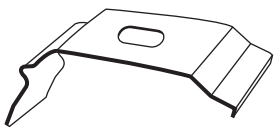
5. **Only for Double Majestic Valance:** Secure the returns of the lower section. **Slide** the two remaining lower section support brackets in position to secure the returns of the lower section.



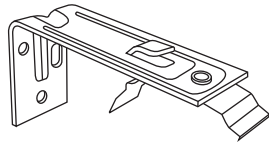
Installing Your Vertical Blind *(for most blinds, 2 people are required for the installation)*

(If you have ordered a valance for your blind, go to page 1 and assemble the valance before installing the blind.)

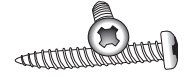
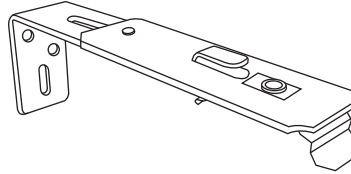
Parts



or



or



Mounting brackets
Quantity: 2 or more depending
on width of blind

Mounting brackets
Quantity: 2 or more depending
on width of blind

Mounting brackets
Quantity: 2 or more depending
on width of blind

Mounting screws
Quantity: 2 per bracket

Note: Mounting screws provided are suitable for most mounting surfaces. See additional suggestions below.

For wallboard or plaster: Use hollow wall anchors for added support.

For concrete, stone, brick or tile: Use an appropriate drill bit and appropriate anchors before fastening the screws.

For metal surfaces: Pre-drill holes before fastening the screws.

Suggested Tools

- Drill
- Level
- Pencil
- Screwdriver
- Tape measure

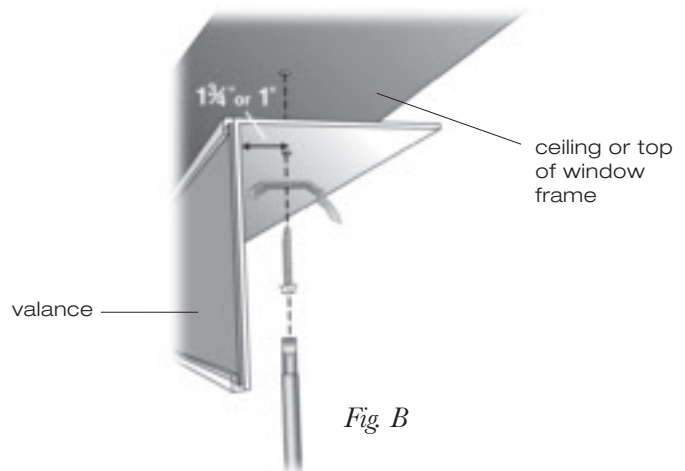
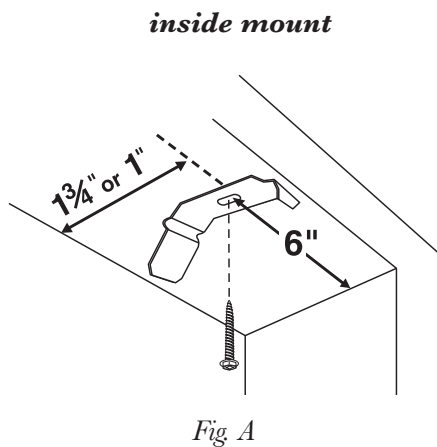
Step 1. Mounting brackets

Inside Mount

Position the brackets on the mounting surface, approximately 6" in from each end of the track position, and **at least** 1 3/4" from the back of the frame. Then mount with one screw per bracket (*Fig A*).

Important: If you have ordered a valance (*Fig B*),

1. Mount valance together with the brackets.
2. The bracket should be positioned so that the hole is **at least** 1 3/4" from the front of the valance.



When more than two brackets are supplied, position the additional brackets evenly between the two end brackets.

Outside Mount and Side Mount

1. **First, mark the position of the track.** Clip one vane to a carrier and place track and vane over area to be covered. **Make sure to leave approximately 1/2" clearance at the bottom of the vanes.** Then mark the position of the track.
2. **Second, mark the position of the brackets.** Make a mark 1/4" above the first mark (allowing room for the bracket head) for the brackets (Fig. A). We recommend you use a level for this step.
3. Mount the brackets with screws provided (Fig. B).

outside mount

For outside mount, brackets should be positioned approximately 6" in from each end of the headrail.

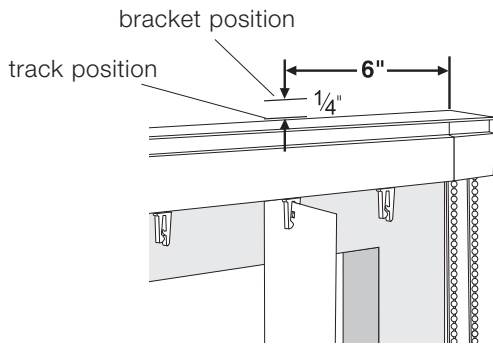


Fig A

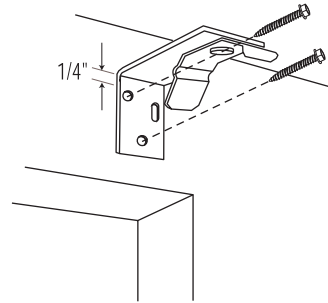


Fig B

Note: When more than two brackets are supplied, position the additional brackets evenly between the two end brackets.

side mount

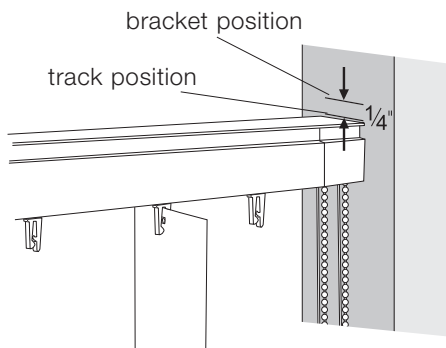


Fig A

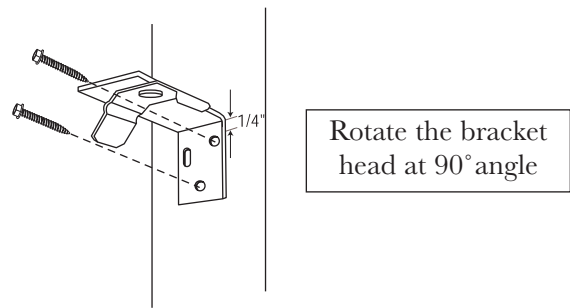
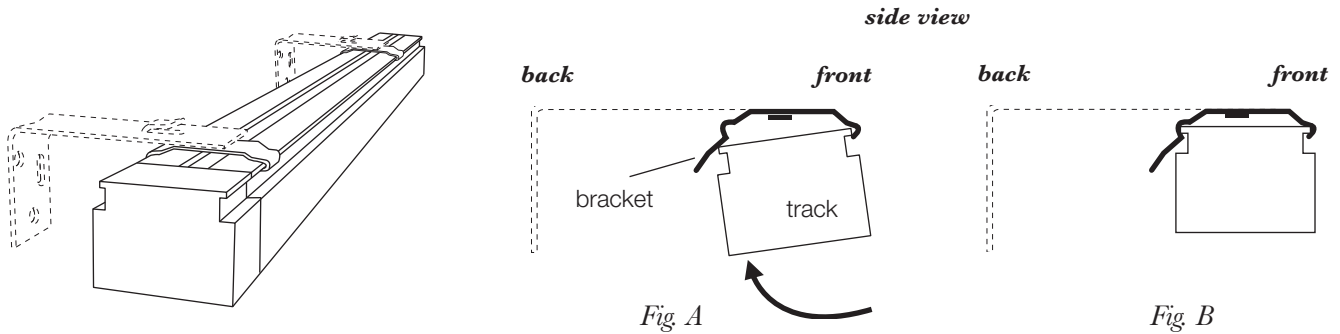


Fig B

Step 2. Fitting the track into brackets

1. Insert the front part of the bracket inside the top front groove of the track (*Fig A*).
2. Push the back up so it snaps into the bracket (*Fig B*).

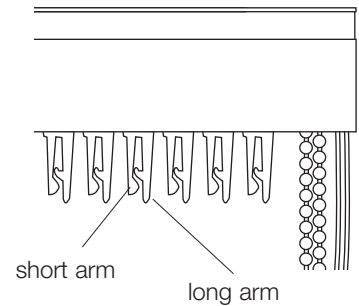
Note: The track is universal and can be installed with the chain and cord on either left or right.



Step 3. Aligning/realigning the vane carriers

Note: All vertical tracks come with the carriers facing the **correct direction** (long arm facing the chain and cord). Before installing the vanes into the carriers, it is important to make sure the carriers are properly aligned.

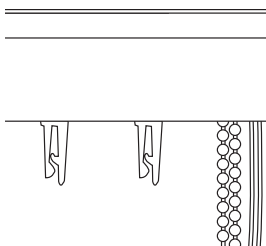
1. Pull the chain (or turn the wand) until the carriers stop rotating. The carriers should turn together and face the same direction.
2. If some carriers seem to be misaligned, continue pulling the chain until you hear the cranking sound of the clutch operating. Keep pulling or turning until the misaligned carriers are automatically adjusted.
3. If a carrier is still facing the wrong direction after following 1 and 2, manually (or with pliers if necessary) rotate it back.



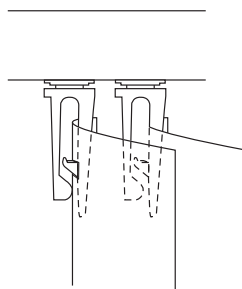
Step 4. Installing the vanes

1. Before installing the vanes, make sure the carriers are positioned as in *Fig A*.
2. Insert the vanes into the carriers. Make sure all the vanes are facing the same direction (*Fig B or C*).

Note: vanes could be inserted as illustrated in *Fig B* or *Fig C*. Make your choice according to your need for light and privacy.

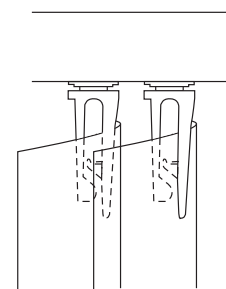


(*Fig A*)



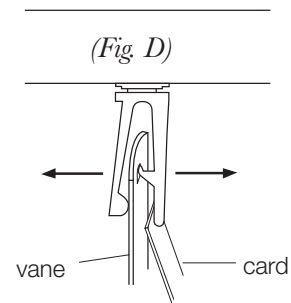
(*Fig B*)

or



(*Fig C*)

To remove the vanes, first rotate the carriers to the open position as illustrated here. Then slide a card between the vane and carrier clip to open the carrier sufficiently and remove the vane (Fig. D).



Step 5. Only if you have ordered a valance: Installing the valance

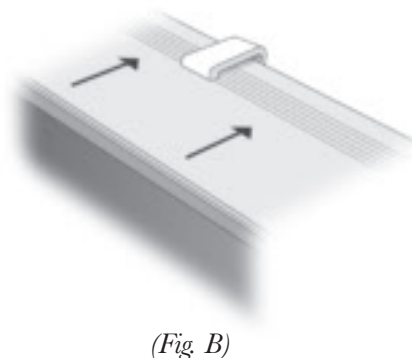
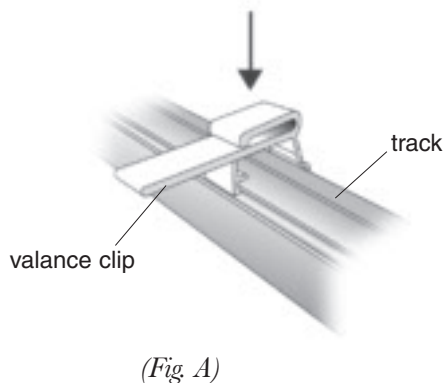
Inside mount

Valance should be mounted with the mounting brackets as illustrated in Fig B on page 5.

Outside mount

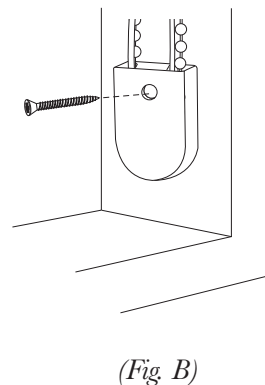
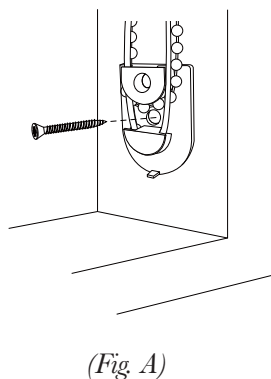
Note: To ensure a more secure fit of the valance, the top of the valance can be trimmed down with a utility knife by scoring the back of it and snapping off the excess.

1. Secure the valance clips by snapping them on the track (Fig. A).
2. Slide valance into the lip of the valance clips (Fig. B).



Step 6. Mounting the Safety Clutch Device *(only for blind with Safety Clutch Track)*

The Safety Clutch Device can be mounted inside the frame, on the frame or on the wall. First mount the device without the cover (Fig. A). Then install and secure the cover (Fig. B). The placement of this device allows you determine/adjust the cord tension.



Troubleshooting

The carriers and vanes won't line up.

1. First make sure all the vanes are properly placed on the carriers, facing the same direction.
2. Then refer to Step 4 on page 7 to realign the carriers.

The vanes stick together.

This is caused by static cling. To solve this, wipe the vanes with a damp cloth, or apply anti-static spray that can be purchased off the shelf.