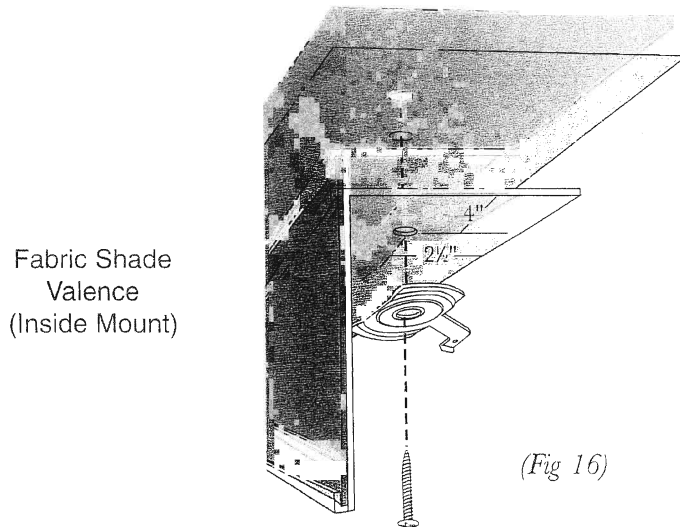


## Valence Installation Instructions for Fabric Shades and Woven Shades

### For Fabric Shades: Inside / Ceiling Mount

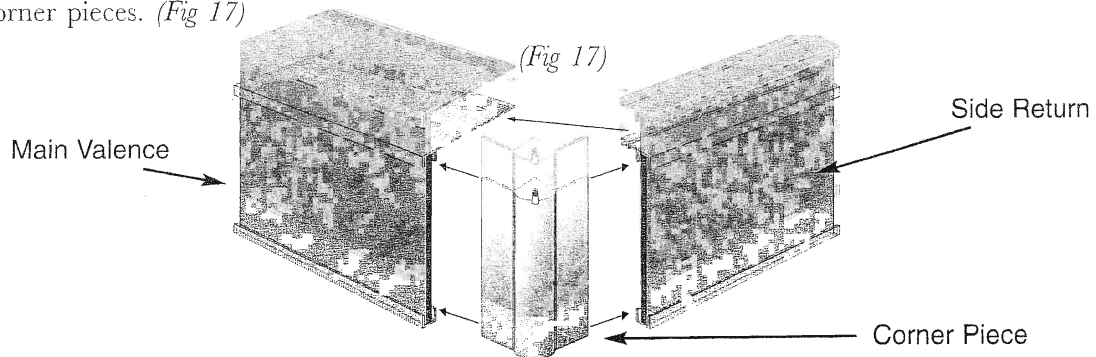
1. The bracket should be positioned approximately 4" in from each end of the valence and at least 2½" from the back of the frame or nearest obstruction. Then mount the bracket through the valence holes into the frame / ceiling with one screw. When more than two brackets are supplied, position the additional brackets evenly between the two end brackets along the length of the valence. (Fig 16)
2. After mounting the brackets and valence, please follow instructions from Step 2 - Step 5 for Panel Track installation.



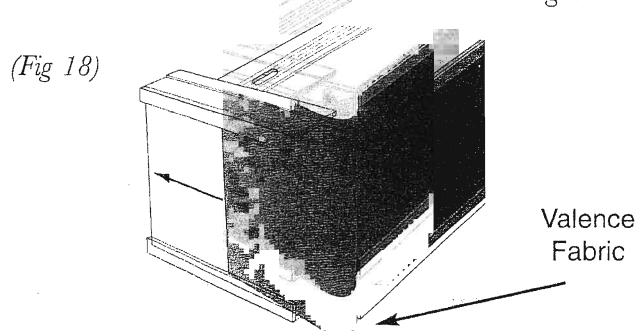
### For Fabric Shades: Outside Mount

Before Starting: The valence is to be mounted after the total installation. Please follow the instructions above from Step 1 to Step 5 to install the Panel Track blind and then start with the valence.

1. Attach the corner pieces into the back slot of the main valence section. Insert the side returns of the valence into the corner pieces. (Fig 17)



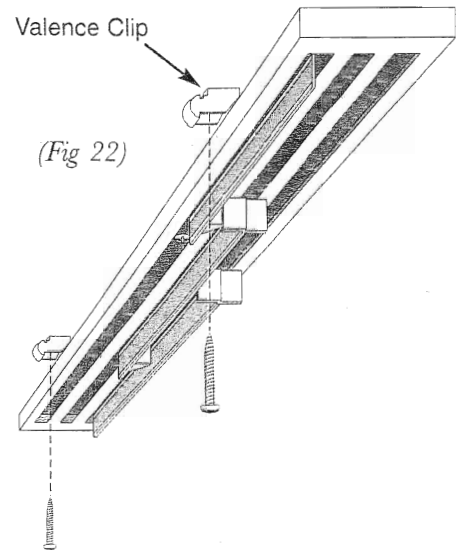
2. Slide the excess fabric from the end of main valence into the side return grooves. (Fig 18)



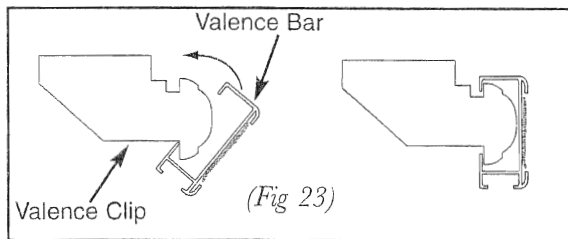
# For Woven Wood Shades: Inside / Ceiling Mount

Before starting: The valence is to be mounted after the total installation. Please follow the instructions above from Step 1 to Step 5 to install the Panel Track blind and then start with the valence.

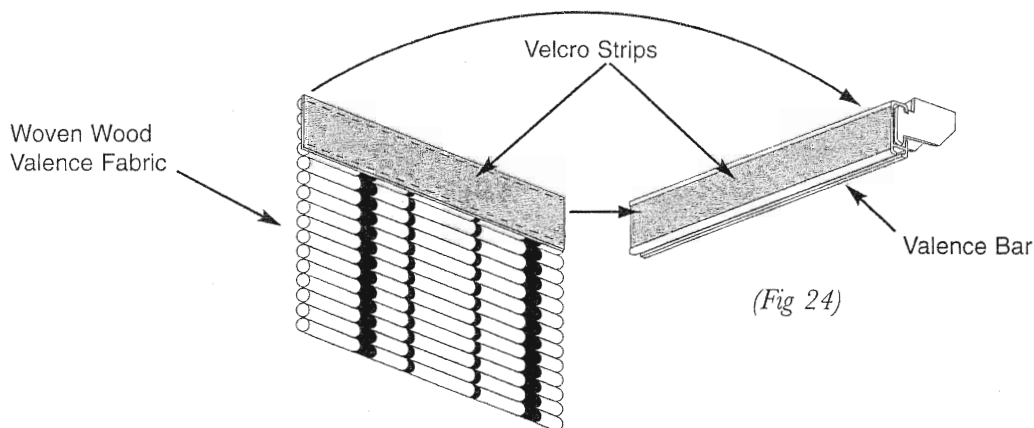
1. Mount the valence clip in front of the track with one screw as shown. (Fig 22)



2. Attach the valence bar to the valence clips as shown – First attach the bottom and then fit the top into the groove until it snaps in. (Fig 23)



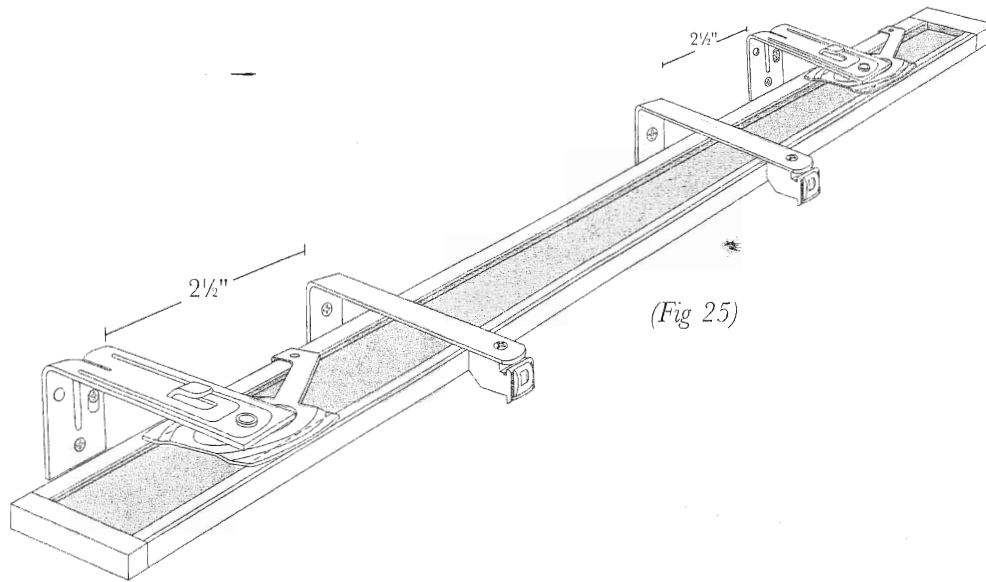
3. After the valence bar has been attached, align the Velcro strip of the woven fabric with Velcro section of the valence bar. Start at one end of the bar and press the Velcro together. Continue this process for entire length of valence bar to ensure a secure hold. (Fig 24) The Valence Installation is complete.



# For Woven Wood Shades: Outside Mount

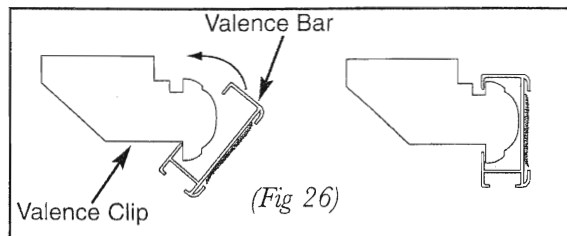
Before starting: Please follow Step 1 of Panel track installation instructions.

1. Mount the valence clip bracket with the screws  $2\frac{1}{2}$ " away from the track brackets so that it does not interfere with the moving arm of the bracket. (Fig 25)

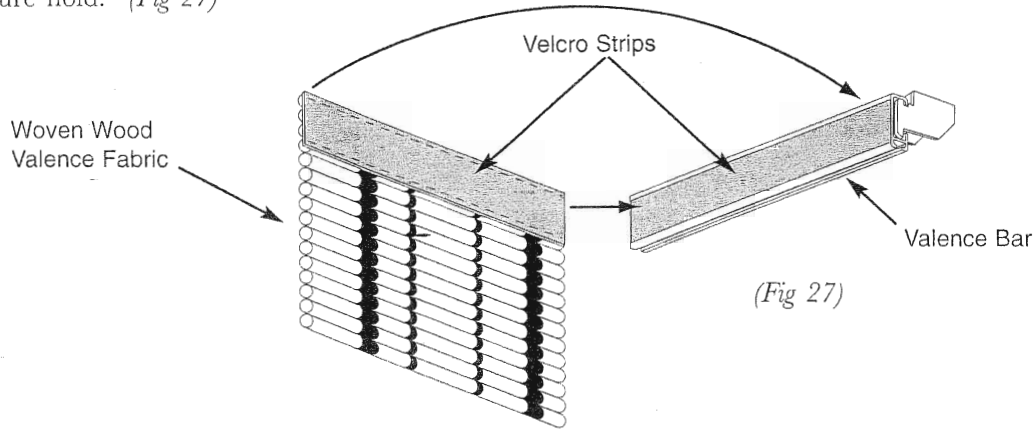


2. After the Valence clip bracket has been mounted, please follow the panel track installation instructions from Step 2 - Step 5, before continuing with the valence installation instructions.

3. Attach the valence bar to the valence clips as shown – first attach the bottom and then fit the top into the groove until it snaps in. (Fig 26)



4. Align the Velcro strip of the woven fabric with Velcro section of the valence bar. Start at one end of the bar and press the Velcro together. Continue this process for entire length of valence bar to ensure a secure hold. (Fig 27)



5. Follow step 4 above – to align the woven fabric onto the valence side returns with Velcro.
6. Attach the corner piece into the main valence as shown and then insert the valence side returns into the corner piece so that the valence looks complete. (Fig 28)

