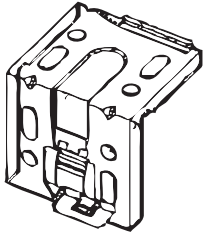


Before starting

Your new Blinds To Go® shade is custom made to your specifications from the finest material available. The installation should be easy and your shade should fit beautifully.

Parts



Regular brackets
Quantity: 2 or more depending
on width of shade

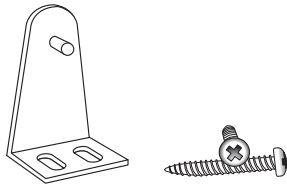


Mounting Screws
Quantity: 2 for each bracket

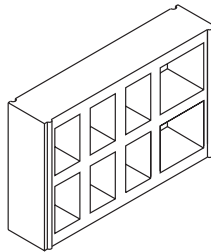


Cord cleat and screws
Quantity: 1 set
(only for Smartlift Shades)

Optional Hardware *(only provided for specific applications)*



Hold down brackets and screws
Quantity: 2 sets



Spacer blocks *(optional)*
Quantity: 1 for each regular bracket

Note: Mounting screws provided are suitable for most mounting surfaces. See below for additional suggestions.

For wallboard or plaster: Use hollow wall anchors provided for added support.

For concrete, stone, brick or tile: Use a carbide drill and appropriate anchors before fastening the screws.

For metal surfaces: Pre-drill holes before fastening the screws.

Suggested Tools

- Drill
- Level
- Pencil
- Screwdriver
- Tape measure

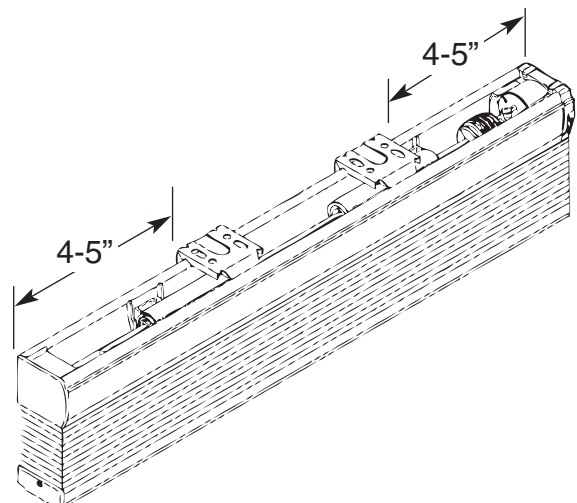
Getting started

Step 1. Mounting brackets

1. Hold the shade to where you want to mount it and mark **approximately 4-5"** in from each end of the headrail. This is where your brackets will go. We recommend you use a level to ensure bracket alignment.

When more than two brackets are supplied, position the additional brackets **evenly between** the two end brackets.

Important: Under all circumstances, the brackets should be positioned to avoid interfering with the operating components in the headrail.



2. Mount the brackets as illustrated.

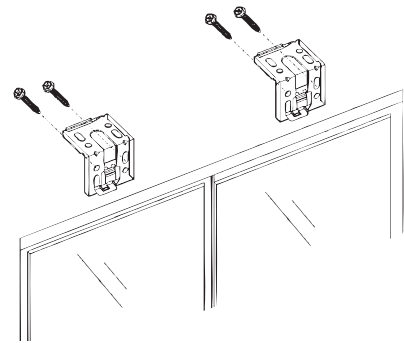
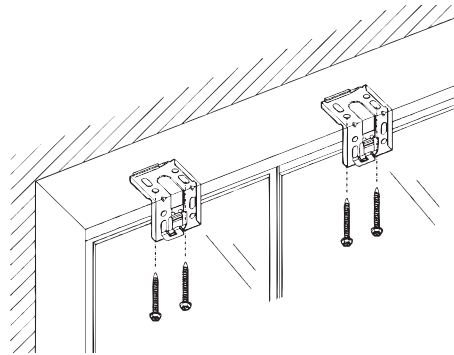
inside mount

(Shade is mounted inside the window frame, either at the top or to the two sides of the frame)

outside mount

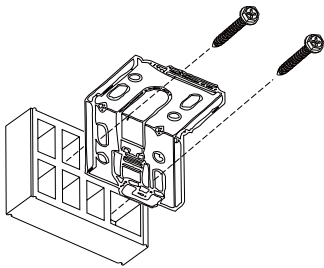
(Shade is mounted either on or outside the window frame)

For the shade to be flush within the frame, the front edge of the brackets should be flush with the front edge of the frame.



Note: If you have ordered spacer blocks, apply as illustrated.

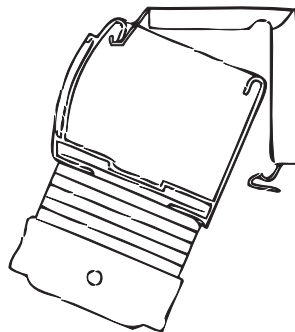
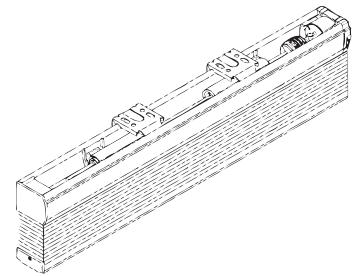
applying spacer blocks
(optional)



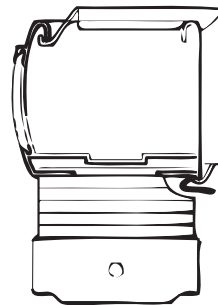
Step 2.

Fitting the shade into the brackets

Caution: Make sure the shade is in the closed position until brackets and headrail are properly secured.



(Fig A)



(Fig B)

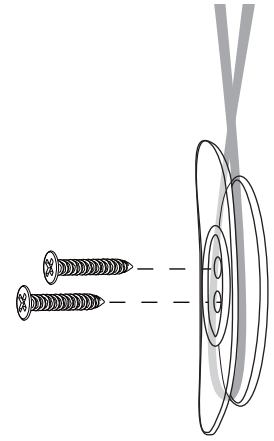
1. See (Fig A). Insert the front of the headrail at an angle to the front lip on the bracket.
2. See (Fig B). Push the headrail in and rotate the back upward so that it is flush against the bracket, engaging the back locking tab.

Note: To remove the shade, while pushing back on the shade to disengage back locking tab, rotate the back of the headrail down. The shade should then release out of the brackets.

Step 3. Mounting the cord cleats *(child safety measure for Smartlift Shades only)*

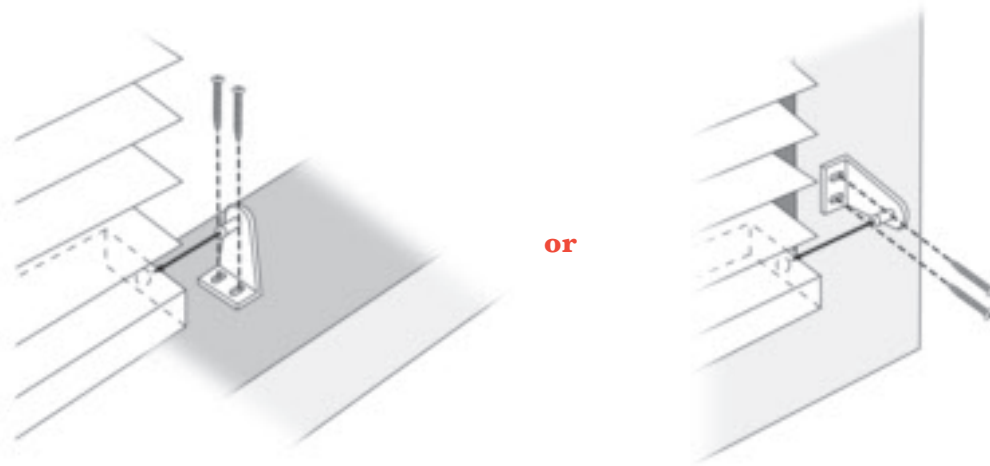
This cleat is to be used when there is excessive cord dangling, especially when the shade is in the raised position. This helps reduce the risk of a child playing with loose cords.

1. Mount the cleat near the shade, out of reach of children. The exact location of the cord cleat is not critical, it can be mounted inside the frame, on the frame or outside the frame.
2. Wrap the excess cord around the installed cleat as illustrated.



Step 4. Mounting hold down brackets *(optional, only if ordered)*

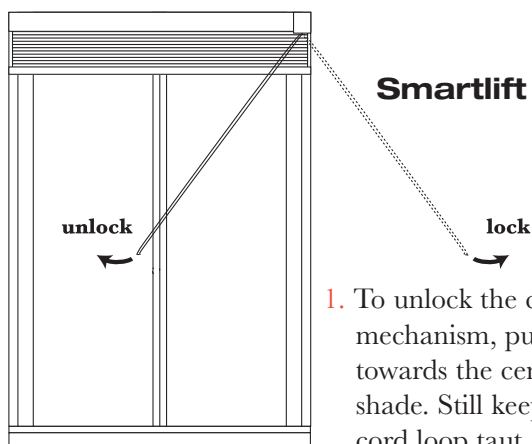
1. Lower the shade to the desired height. Position the hold down bracket to align the tab to the holes of the end caps of the bottom rail.
2. Mount the brackets as illustrated.



IMPORTANT OPERATING INSTRUCTIONS

Cordless

1. To operate, grasp the the bottom rail, then gently raise or lower the shade until it has reached its desired height. To prevent the shade from hanging unevenly, it **MUST** be raised and lowered from the **middle** of the bottom rail.
2. To straighten a shade hanging unevenly, fully extend it and then raise it from the middle. Do not lift quickly as this creates slack in the ribbons.
3. When over-extended, the shade will creep back to the designed length. This is not a defect but is a function of how the shade operates.



1. To unlock the cord loop mechanism, pull the loop towards the center of the shade. Still keeping the cord loop taut, rotate the loop until the shade has reached its desired height.

Fabric pleats can take up to 48 hours to fully extend!

If your shade appears **SHORT**:

1. Unlock the cordlock mechanism as shown at left.
 2. While holding the cord **toward** the center of the shade with one hand, use your other hand to grasp the **middle** of the bottom bar, pulling down the shade as far as it will go.
 3. **Let hang for 48 hours.**
2. Pull the cord loop away from the center of the shade, locking it in place.