

Before Starting

Your new blinds to go horizontal blind is custom made to your specifications from the finest materials available. The installation should be easy and your blind should fit beautifully.

Mounting Options

Inside mount: Blind is mounted inside the window frame, either to the top of the frame or to the sides.

Outside mount: Blind is mounted either on or outside the window frame.

Note: Mounting screws provided are suitable for most mounting surfaces. see below for additional suggestions.

For wallboard or plaster: Use the provided hollow wall anchors for added support.

For concrete, stone, brick or tile: Use an appropriate drill bit and appropriate anchors before fastening the screws.

For metal surfaces: Pre-drill holes before fastening the screws.

Suggested Tools

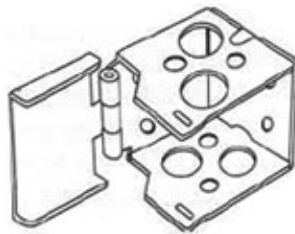
- » Drill
- » Level
- » Pencil
- » Screwdriver
- » Tape measure

Installing Horizontal Blinds

Parts



Mounting Screws
Quantity: 2 per bracket



Box brackets
Quantity: 2



Hold down brackets and screws (Optional)
Quantity: 2 sets

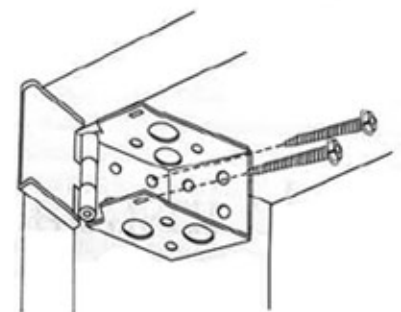


Center support bracket (Optional)
Quantity: depending on width of blind

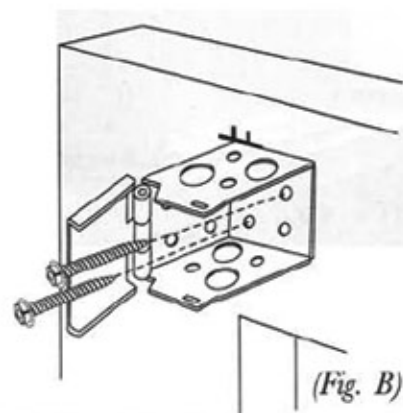
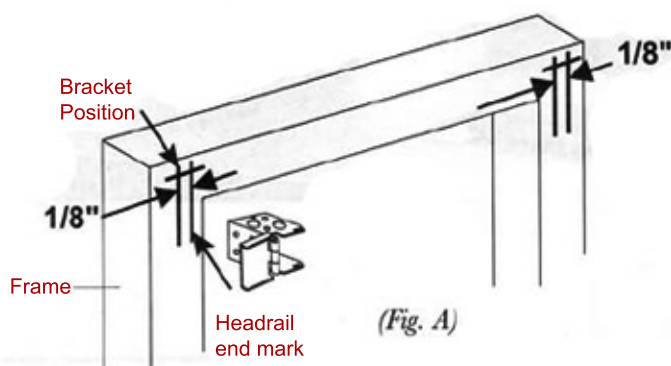
Getting Started

Step 1: Mounting Brackets

Inside mount: mount brackets in the upper corners of the frame.

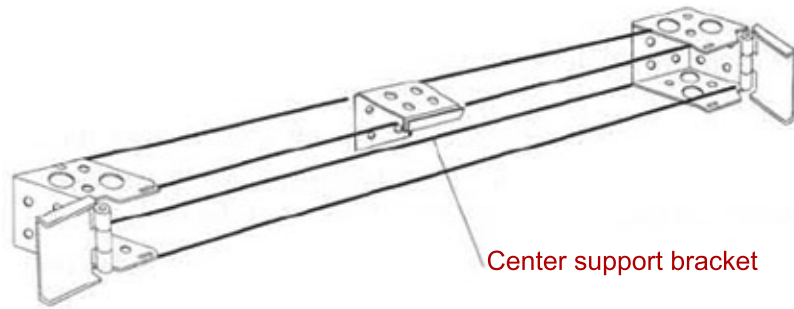


Outside mount: Outside edge of the brackets should be 1/8" to the outside of the headrail end mark. Mark positions of the headrail and brackets (Fig. A). Then use the marks as a guide and mount the brackets (Fig. B).



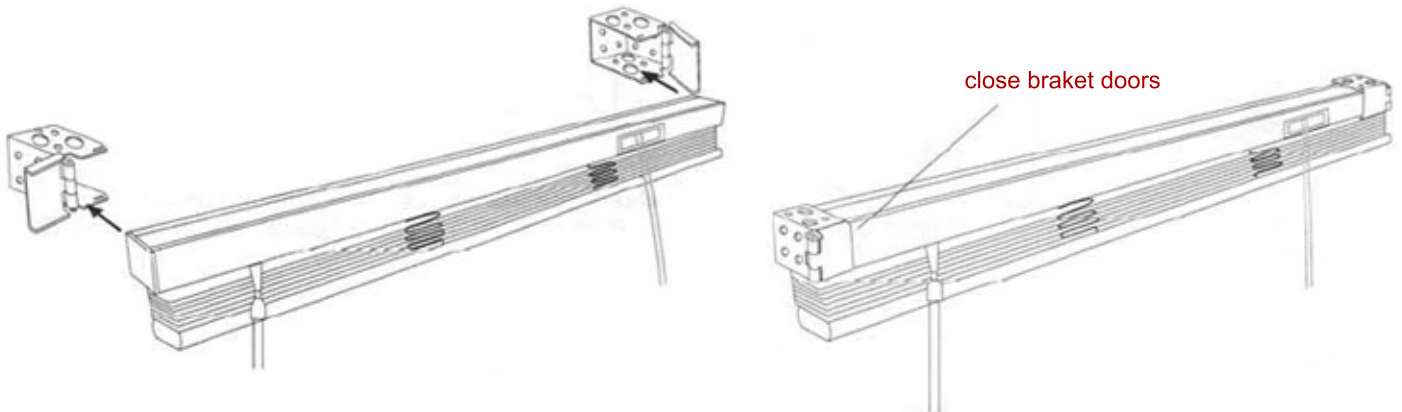
Step 2: Mounting center support brackets (only for blinds over 35" wide)

When additional bracket(s) or center support bracket(s) are provided, they should be spaced evenly between the two end brackets. The center bracket could be 2" to 3" to the right or left of center to make sure it does not interfere with the components in the headrail.



Step 3: Fitting the blind into the brackets

Make sure the blind is in the closed position before mounting. Fit the headrail into the brackets and close bracket doors.



Step 4: Mounting hold down brackets

1. Fit the hold down brackets onto the bottom rail and lower the blind to desired height.
2. In the middle of the screw hole, make mark for the mounting screw as illustrated (Fig. A). Then fasten the screws into the mounting surface, leaving one thread exposed.
3. Slide the hold down brackets to the secured in position by the screws (Fig. B).

